



User Manual

Guarantee

Thank you for investing in a C Enterprise Ltd(CEL) product. This product has been made to demanding, high quality standards and are guaranteed for domestic use against manufacturing faults for a period of 12 months from the date of purchase.

This guarantee does not affect your statutory rights. In case of any malfunction of your CEL tool (failure, missing part, etc.), please contact one of our service technicians.

Normal wear and tear, including accessory wear, is not covered under guarantee. The product is guaranteed for 12 months if used for normal domestic purposes. Any guarantee is invalid if the product has been overloaded or subject to neglect, improper use or an attempted repair other than by an authorised agent. Heavy duty, daily professional or hire usage are not guaranteed. Due to continuous product improvement, we reserve the right to change the product specification without prior notice.

- 1.0 **Safety Rules**
- 2.0 **Specifications and Know Your Product**
- 3.0 **Know Your Product**
- 4.0 **Assembly and Operation**
 - 4.1 Fan
 - 4.12 SUBzero Fan
 - 4.13 Dehumidifying
 - 4.2 Air Purification
 - 4.21 HEPA Filtration
 - 4.22 Ionizer
 - 4.3 Mist
 - 4.31 Cool Mist/Humidifying Fan
 - 4.32 Aroma
 - 4.4 Ionizer and Mist
 - 4.5 Reservoir
 - 4.51 Reservoir Removal
 - 4.52 Filling with Water
 - 4.53 Wick Replacement
 - 4.6 Fitting into a Car
- 5.0 **General Maintenance**
- 6.0 **Problem Solving**
- 7.0 **Notes**



SAFETY AND IMPORTANT INFORMATION

**READ ALL INSTRUCTIONS BEFORE USE.
RETAIN INSTRUCTIONS FOR FUTURE REFERENCE.**

When using this or any other electrical appliance, you should always observe basic safety precautions, including the following, to reduce the risk of fire, electrical shock, or injury:

- 1. Do not handle the appliance with wet hands or place on wet surface .**
- 2. Use only as described in this manual .**
- 3. Do not abuse the cord of the adaptor ;never carry the appliance by the cord or pull cord to disconnect from an outlet ;grasp the plug and pull to disconnect .**
- 4. Keep appliance and cord away from hot surfaces.**
- 5. Keep hair, clothing, fingers ,and all body parts clear of moving parts .**
- 6. If the supply cord becomes damaged it should be replaced by a suitably qualified person such as a service agent.**
- 7. Do not use solvents or benzene to clean the appliance .**
- 8. Plug the adaptor directly into a wall socket with suitable grounding .**
- 9. Do not try to disassemble the unit if repairs are needed return the unit to a service agent.**
- 10. Route the power cord away from walking paths so that no body can trip over it.**
- 11. Do not wash the Charcoal filter provided .**

FOR HOUSEHOLD USE ONLY

Specifications

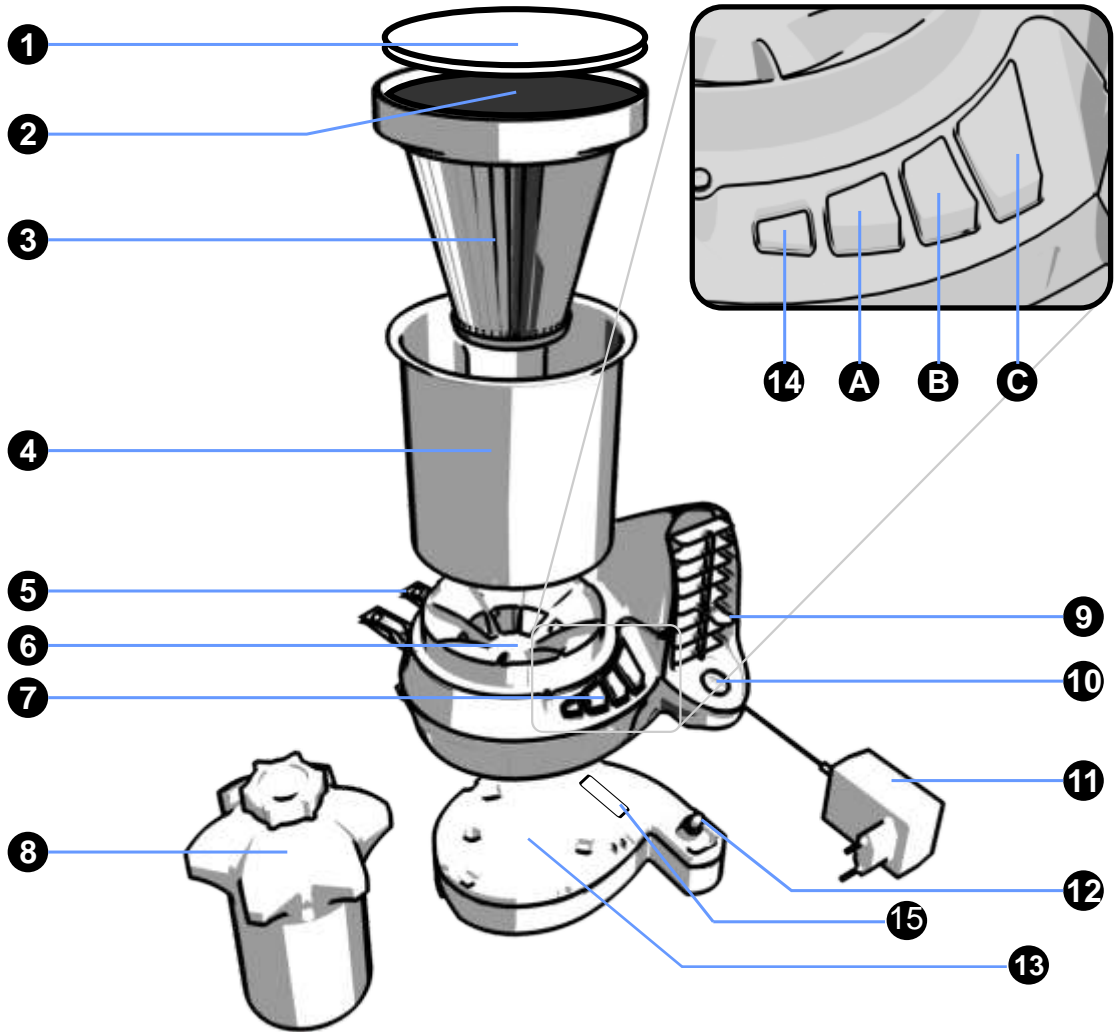
Voltage:	V 6
Charger:	240V ~ 50Hz or 6V DC
Batteries:	4x AA
Weight:	1.9 lbs (0.9 kg)

Know Your product

1. Filter, Washable layer
2. Filter, Charcoal layer
3. Filter, HEPA layer
4. Air duct
5. Car vent clips
6. Fan inlet
7. Operation buttons
8. Freezer Element
9. Exhaust vent adjustment
10. Mist Exhaust
11. Mains adaptor
12. Mist wick
13. Removable Container
14. Power LED
15. Spare Mist wick

Buttons

Button	A	-	On/Off <i>Red Led - standby</i> <i>Green Led - Operating</i>
Button	B	-	Fan Speed Selection <i>3 speeds - low-mid-high</i>
Button	C	-	Mode Selection <i>No LED - fan only</i> <i>Red LED - Ionizer & fan</i> <i>Blue LED - Mist & fan</i> <i>Purple LED - Mist, Ionizer & fan</i>



4.1 Cooling

4.11 FAN

1. Connect a DC plug to the DC socket on the side of the product from either the AC Adaptor or the Car Adaptor plug.
2. Switch on the fan by pressing the ON/OFF button (*Button A*), until the Green LED is on.
3. Select fan speed (Low, Middle, High) by pressing the Speed button. (*Button B*)

4.12 SUBzero FAN

1. Connect a DC plug to the DC socket on the side of the DC product from either the AC Adaptor or the Car Adaptor plug.
2. Assemble the Duct to the raised boss around the fan inlet and twist clockwise to secure it on top of the main unit .
3. Load one of the following cooling elements to the Duct container
 - a. Any frozen beverage
 - b. Freezer Element (included)

Remarks: charge your Freezer element for 4-6 hours dependent on your freezer cooling capacity. Freezing point of the Freezer Element is -4°C to -8°C. Cooling effect is achieved only during defrost of a frozen cooling element.

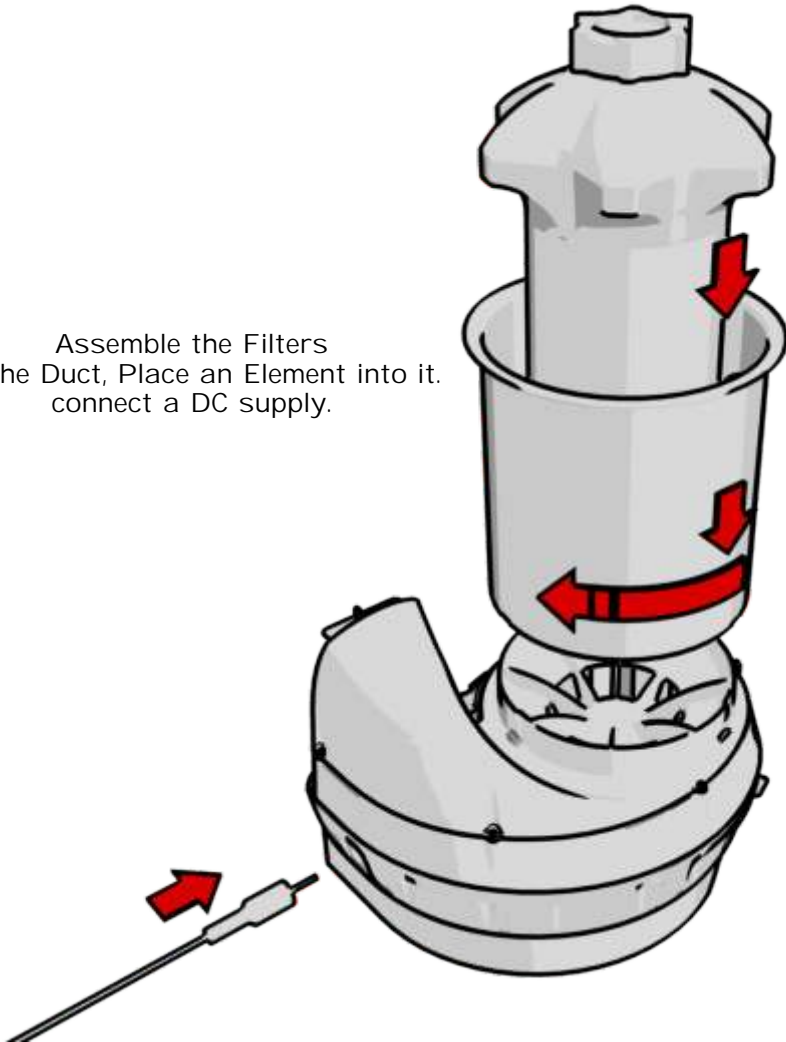
4. Switch on the fan by pressing the ON/OFF button. (*Button A*)
5. Select fan speed (Low, Middle, High) by pressing the Speed button. (*Button B*)

4.13 DEHUMIDIFYING

Moisture in the air, which becomes condensed on the surface of the cooling element, is dropped into the collection reservoir through an internal channel. This dehumidifying process is natural and will continue until the surface temperature of the element becomes the same as the air around it.

Please see 4.5 for emptying the reservoir

Assemble the Filters
Fit the Duct, Place an Element into it.
connect a DC supply.



4.2 Air Purification

4.21 HEPA FILTER

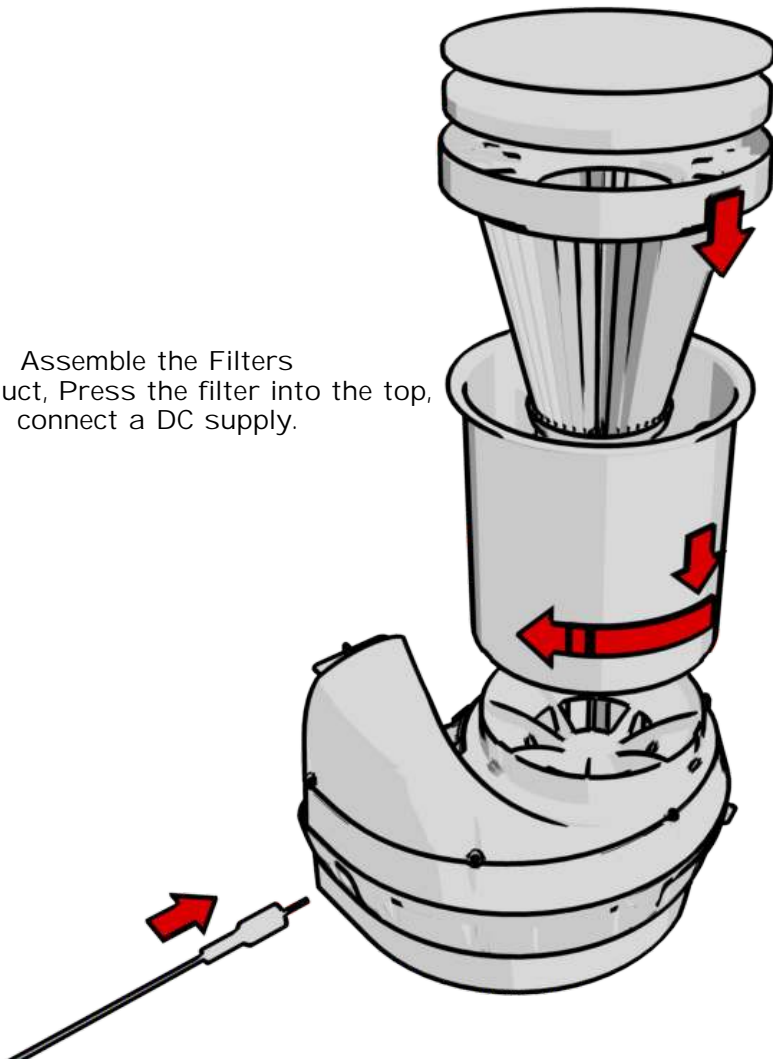
1. Connect a DC plug to the DC socket on the side of the product from either the AC Adaptor or the Car Adaptor plug.
2. Assemble the Duct to the raised boss around the fan inlet and twist clockwise to secure it on top of the main unit .
3. Press the 3 Layer Filter onto the top of the Duct. If they are not assembled then lay the circular foam filters on top of the pleated paper cone(HEPA). Assemble the grey/dark one first (charcoal) then the White (pre-filter), this layer can be washed periodically to renew and improve performance.
4. Switch on the fan by pressing the ON/OFF button. (*Button A*)
5. Select a fan speed (Low, Middle, High) by pressing the Speed button. (*Button B*)

4.22 IONIZER

Press the Mode button(*Button C*) until the LED turns RED , the Electronic Ionizer is now activated and produces masses of negatively charged ions. Hazardous air born particles in the air will be drawn to any earthed surface (positively charged ground) increasing air purity .

The Ionizer can work alone, or in conjunction with the filtration system, Cooling elements, dehumidifier or Mist generator.

Assemble the Filters
Fit the Duct, Press the filter into the top,
connect a DC supply.



4.3 Mist

4.31 COOL MIST/HUMIDIFYING FAN

1. Add water to the mist reservoir by pouring water through the aperture around the wick .
2. Make sure the wick is firmly inserted and in contact with the base of the reservoir.
3. Align the main unit over the reservoir press gently down until the lock grips both parts together.
4. Connect the DC plug to the DC socket on the side of the product from either the AC Adaptor or the Car Adaptor plug.
5. Switch on the fan by pressing the ON/OFF button. (*Button A*)
6. Select a fan speed (Low, Middle, High) by pressing the Speed button. (*Button B*)
7. Press the Mode button twice until the LED turns BLUE. (*Button C*)
8. Wait for a while until you see a fine and visible mist produced from the atomizer. The mist might start weak, as it takes some time to draw water up the wick.
9. Directing the mist towards you ,a fine mist of water will be deposited on your skin, helping cool you down by natural evaporation process .The fine spray will also humidify the air .

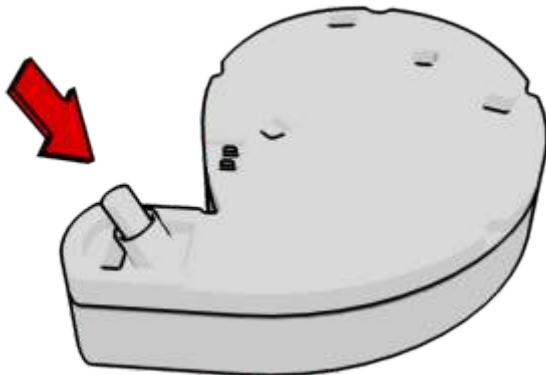
4.32 AROMA

By adding a small drop of aroma oil in the water reservoir, the atomizer can be used to create a fresh smell together with the cool mist.

4.4 IONIZER and MIST

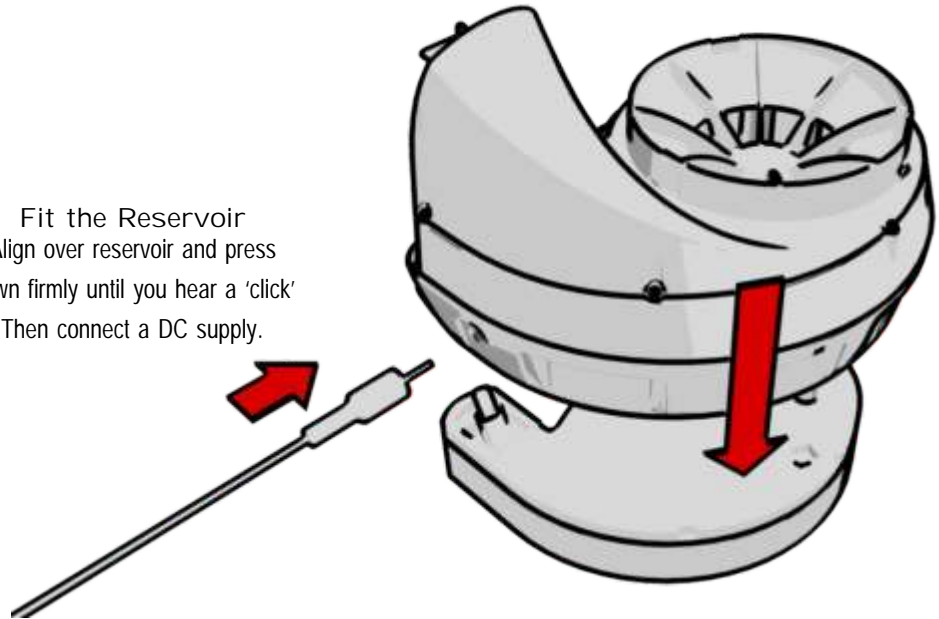
You can enjoy pure and humid air at the same time by using the both ionizer and mist function.

1. Follow the steps in 4.31 to make cool mist fan ready.
2. Press the mode button until the LED turns Purple (button C).



Filling with Fresh Water
Pour water into the
recess around the wick.

Fit the Reservoir
Align over reservoir and press
down firmly until you hear a 'click'
Then connect a DC supply.



4.5 Reservoir

4.51 REMOVING THE RESERVOIR

To fill the mist tank or empty the collection reservoir, the lower part of the product can easily be detached.

1. Place the product onto a level surface and hold the upper portion.
2. Slide the switch on the left/back side of the Fan forward and lift the main unit off of the reservoir.

To replace the main unit onto the reservoir:

1. Place the reservoir onto a level surface.
2. Align the main unit over the top of the reservoir and gently push it downwards until you hear a 'click', the two parts should now be secured together.

4.52 EMPTYING THE COLLECTED WATER

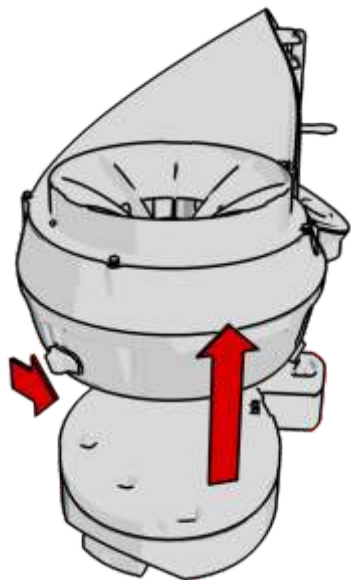
After using any cooling element it is likely that some water has been extracted from the air and deposited in the collection reservoir. The level of this tank can clearly be seen through the side. It needs to be emptied before passing the MAX mark, or if to be stored for any length of time.

1. Turn the reservoir so that the cap is upper most. (*ensure the Mist reservoir is empty*)
2. Rotate the cap 90° anti-clockwise and pull off.
3. Dispose of the collected water.
4. Replace the Cap into the hole at the same angle it was released, then rotating 90° clockwise.

4.53 REPLACEMENT OF THE WICK

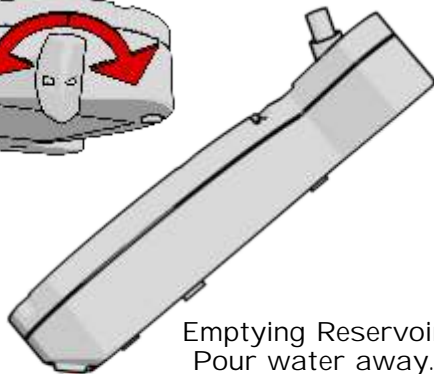
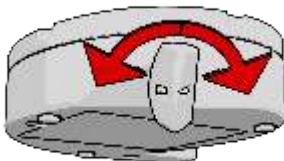
After user the Wick should be replaced ever 6 months, if stored in warmer environments it maybe necessary to replace more frequently.

1. Remove the Reservoir as described above.
2. Gently pull the old wick from its grip and dispose of.
3. Insert the new wick until it comes in contact with the base of the reservoir. (*There is an area on the upper surface of the reservoir to store a spare wick. This is where you will find the replacement supplied with this product.*)



Remove Reservoir
Pull switch, lift main unit.

Emptying Reservoir
Turn cap 90° Anti-Clockwise to release.
Turn cap 90° Clockwise to lock.



Emptying Reservoir
Pour water away.



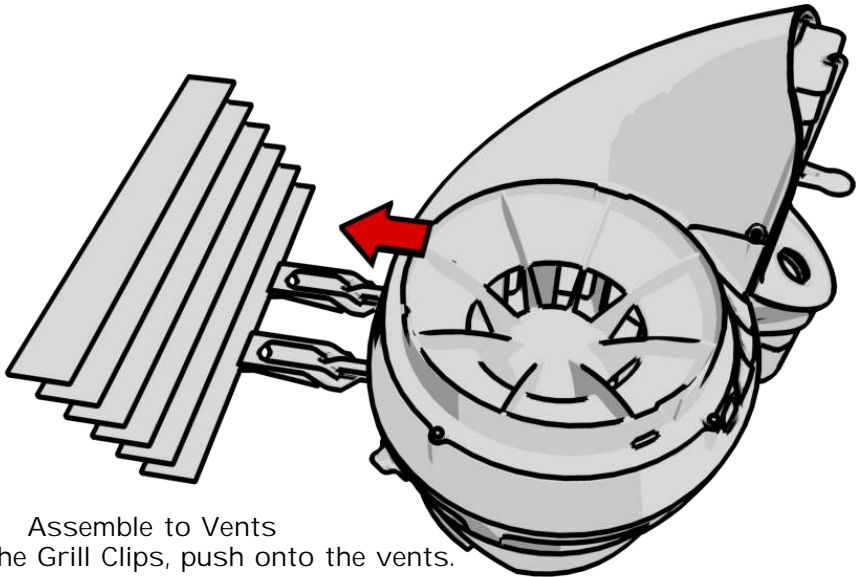
Replace the Wick
Pull Out the old Wick and insert the new.



4.6 Fitting into a Car

The SUBzero is supplied with two 'Grill Clips'. These can be used to mount the product onto the vents in your vehicle or when a flat surface is not available.

1. Select two positions on the main unit to assemble the Grill Clips, which will direct the exhaust vent in the required direction.
2. Push the product and clips firmly onto the vents in your vehicle.
3. Connect the DC plug to the DC socket on the side of the product from the Car Adaptor plug.
4. Tune the SUBzero's vents for your preferred direction.



Assemble to Vents

Assemble the Grill Clips, push onto the vents.

5.0 General Maintenance

- Wipe the product with a clean dry cloth.
- Ensure wick is removed and the mist and collection reservoirs are empty and dry, before storage. Store in a cool dry place.
- Replace the wick after use at least every 6 months, in warmer environment this may be required more often.
- Protect the product from direct sunlight.
- Wash the pre-filter (white layer) as necessary to improve air flow and maintain performance. DO NOT wash the charcoal filter (grey layer).

6.0 Problem Solving

- | | |
|-------------------|--|
| Fan does not turn | Ensure the DC supply is correctly assembled at both ends
Ensure the fan is free from debris |
| Low Air flow | Ensure there is a clear passage to the fan inlet
Replace the HEPA filter
Check the DC connection |
| Low or no Mist | Ensure the wick is fully pushed into the reservoir
Ensure there is water in the Mist reservoir
Select a lower fan speed
Replace the Wick
Check the DC connection |
| Noisy Product | Ensure the reservoir is connected correctly
Ensure the wick is fully pushed into the reservoir
Ensure the product is on a flat surface or mounted correctly |

CEL
C Enterprise Ltd

www.cel-global.com info@cel-global.com
UK • HK • USA • China • Europe • Australia • Japan